

EPN[®]

Locking & Security RJ-45 / 12 Jack



Slim Type Lock Keystone Jack



X KTVNK - X X X

X KTVMK - X X X

CAT. X	TYPE	IDC CAP	COLOR
3 : C3 E : C5e 6 : C6 G : C6A	U : Unshield S : Half shielded F : Fully shielded	0 : w / o 1 : w / h	BK : Black IV : Ivory RD : Red GN : Green WH : White BL : Blue OR : Orange YL : Yellow GY : Gray MT : Metal TIN : Tin

XKTVNK-XXX : Krone IDC Block

XKTVMK-XXX : 110 IDC Block

3KTVNK-UXX666 : RJ12 6P6C6u



X KTVNKL - X 1 X

CAT. X	TYPE	COLOR
3 : C3 E : C5e 6 : C6 G : C6A	U : Unshield S : Half shielded F : Fully shielded	BK : Black IV : Ivory RD : Red GN : Green WH : White BL : Blue OR : Orange YL : Yellow GY : Gray MT : Metal TIN : Tin

XKTVNKL-X1X : Toolless IDC Block

3KTVNKL-U1X666 : RJ12 6P6C6u

Lock Inline Coupler



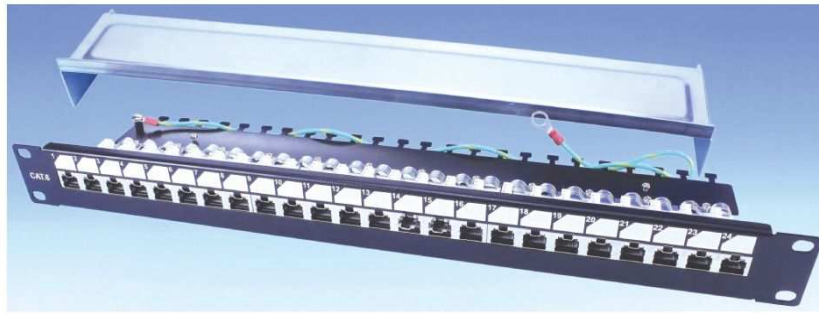
X ICK - X NJ X

CAT. X	TYPE	COLOR
3 : C3 E : C5e 6 : C6 G : C6A	U : Unshield S : Half shielded F : Fully shielded	BK : Black IV : Ivory RD : Red GN : Green WH : White BL : Blue OR : Orange YL : Yellow GY : Gray PT : Plated

PT : Fully shielded only (Chromium plated)

3ICK-UNJX666 : RJ12 6P6C6u

19" PCB Module Lock Patch Panel



X PLDNK - X XX X

X PLDMK - X XX X

CAT. X	TYPE	PORT	COLOR
E : C5e	U : Unshield	16 : 16 Ports	BK : Black
6 : C6	S : Half shielded	24 : 24 Ports	IV : Ivory
G : C6A	F : Fully shielded		

XPLDNK-XXXX : Dual IDC Block
XPLDMK-XXXX : 110 IDC Block

10" PCB Module Lock Patch Panel



X PLINK - X XX X

X PLIMK - X XX X

CAT. X	TYPE	PORT	COLOR
E : C5e	U : Unshield	8 : 8 Ports	BK : Black
6 : C6	S : Half shielded	12 : 12 Ports	IV : Ivory
G : C6A	F : Fully shielded		

XPLINK-XXXX : Dual IDC Block
XPLIMK-XXXX : 110 IDC Block

Desk Top Lock Patch Panel



X PLTNK - X XX X

X PLTMK - X XX X

CAT. X	TYPE	PORT	COLOR
E : C5e	U : Unshield	8 : 8 Ports	BK : Black
6 : C6	F : Fully shielded	12 : 12 Ports	IV : Ivory
G : C6A			

XPLTNK-XXXX : Dual IDC Block
XPLTMK-XXXX : 110 IDC Block

Surface Mount Lock Box

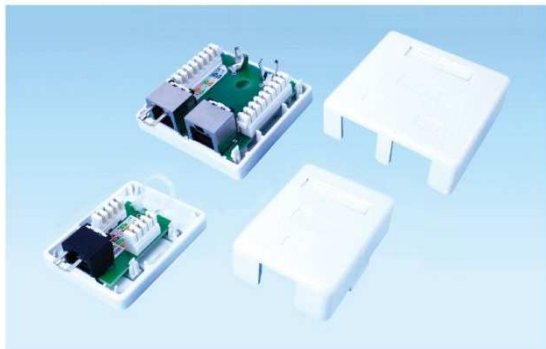


X BXMK - U1 X MINI TYPE

X BXMMK - U1 X MINI TYPE

CAT. X	COLOR
3 : C3	WH : White
E : C5e	I V : Ivory
6 : C6	
G : C6A	

XBXMK-U1X : Dual IDC Block
 XBMMK-U1X : 110 IDC Block
 3BXMK-U1X666 : RJ12 6P6C6u



X BXK - X X X

X BMK - X X X

CAT. X	TYPE	PORT	COLOR
3 : C3	U : Unshield	1 : 1 Port RJ45	WH : White
E : C5e	S : Half shielded	2 : 2 Ports RJ45	I V : Ivory
6 : C6			
G : C6A			

XBK-XXX : Dual IDC Block
 XBMK-XXX : 110 IDC Block
 3BXK-UXX666 : RJ12 6P6C6u



X BXMKL - U1 X MINI TYPE

CAT. X	COLOR
3 : C3	WH : White
E : C5e	I V : Ivory
6 : C6	
G : C6A	

XBMKL-U1X : Tooless IDC Block
 3BXMKL-U1X666 : RJ12 6P6C6u



X BXKL - X X X

CAT. X	TYPE	PORT	COLOR
3 : C3	U : Unshield	1 : 1 Port RJ45	WH : White
E : C5e	S : Half shielded	2 : 2 Ports RJ45	I V : Ivory
6 : C6			
G : C6A			

XBKL-XXX : Tooless IDC Block
 3BXKL-UXX666 : RJ12 6P6C6u

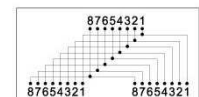
T MOD Lock Adaptor



ETMDK - X JJJ X T

TYPE	COLOR
U : Unshield	BK : Black
S : Half shielded	I V : Ivory
F : Fully shielded	WH : White
	PT : Plated

Wiring Layout Reference



PT : Fully shielded only (Chromium plated)

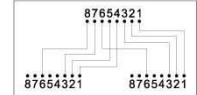
T MOD Lock Adaptor



X TMDK - X CJJ X

CAT. X	TYPE	COLOR
E : C5e 6 : C6	U : Unshield S : Half shielded F : Fully shielded	BK : Black IV : Ivory WH : White PT : Plated

Wiring Layout Reference



PT : Fully shielded only (Chromium plated)

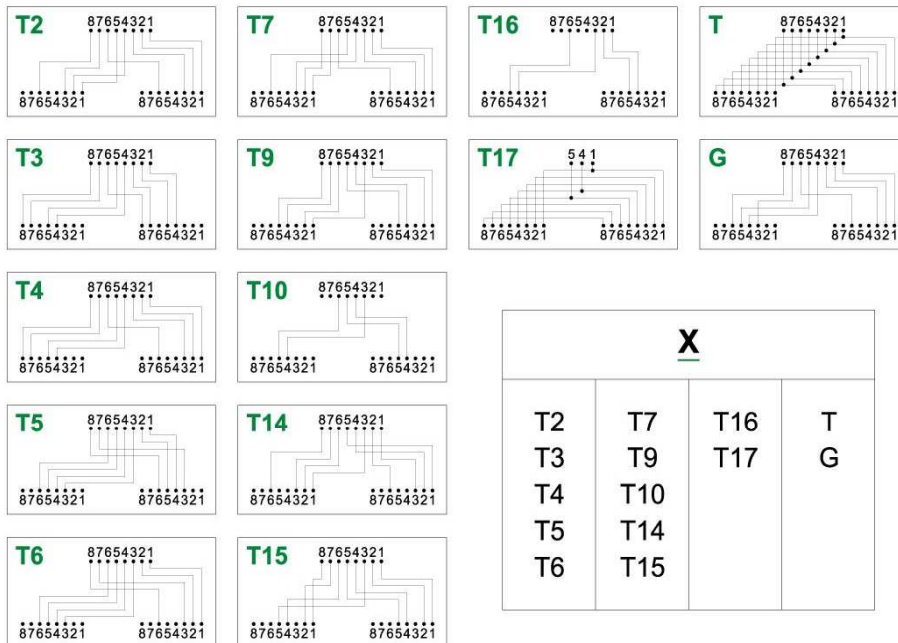


X TMDK - X CJJ X X

CAT. X	TYPE	COLOR
E : C5e 6 : C6	U : Unshield S : Half shielded F : Fully shielded	BK : Black IV : Ivory WH : White PT : Plated

PT : Fully shielded only (Chromium plated)

Wiring Layout Reference



PCB Lock Jack



JACK - 810K X X BK

TYPE	EAR
U : Unshield	0 : w / o
S : Shielded	1 : w / h

JACK-810KXXBK : RJ45 8P8C50u

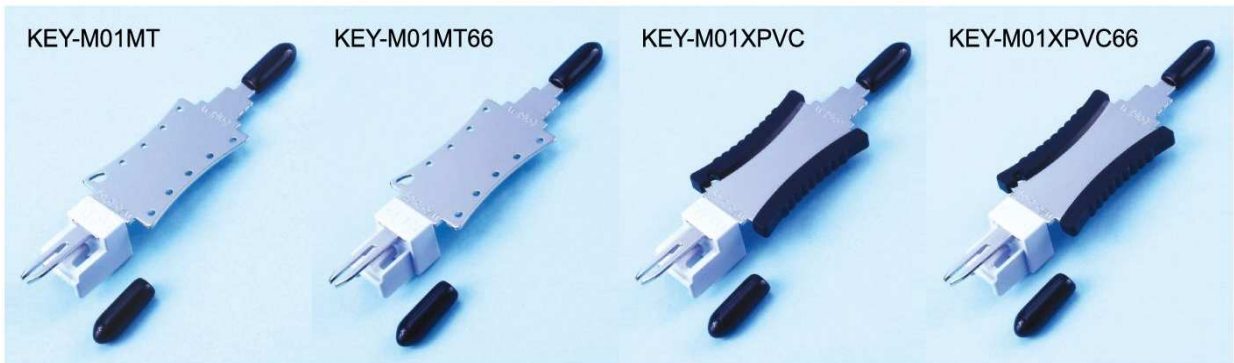


JACK - 810KU X BK666

EAR
0 : w / o
1 : w / h

JACK-810KUXBK666 : RJ12 6P6C6u

Key



KEY-M01MT : Metallic Key For RJ-45

KEY-M01MT66 : Metallic Key For RJ-12 6P6C

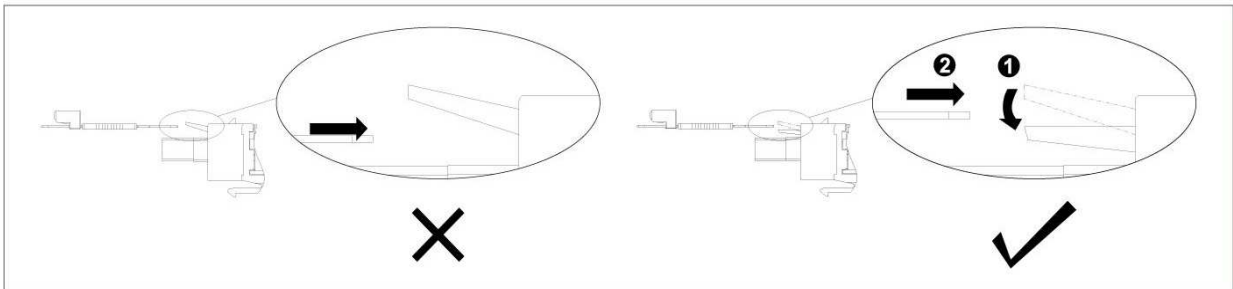
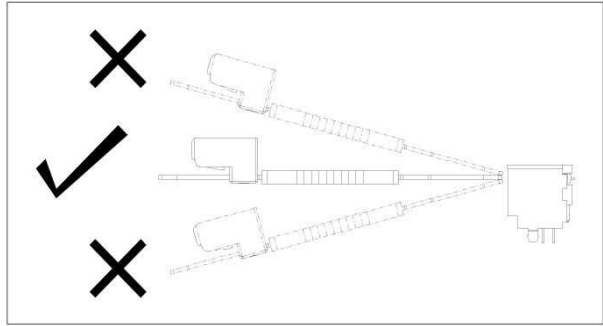
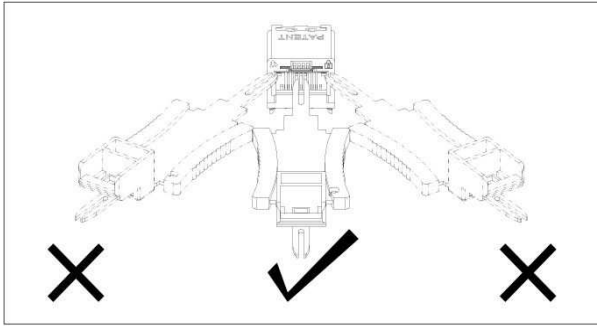
KEY-M01XPVC : Metallic Key For RJ-45 with PVC Molded

KEY-M01XPVC66 : Metallic Key For RJ-12 6P6C with PVC Molded

COLOR
BK : Black
RD : Red

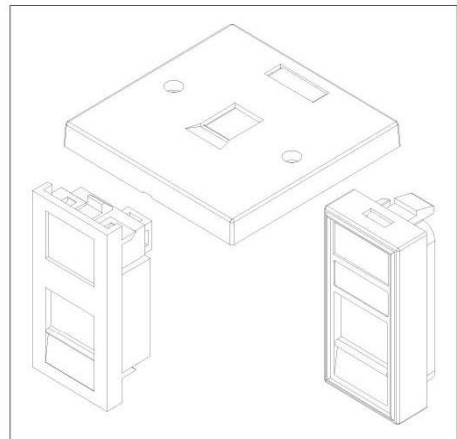
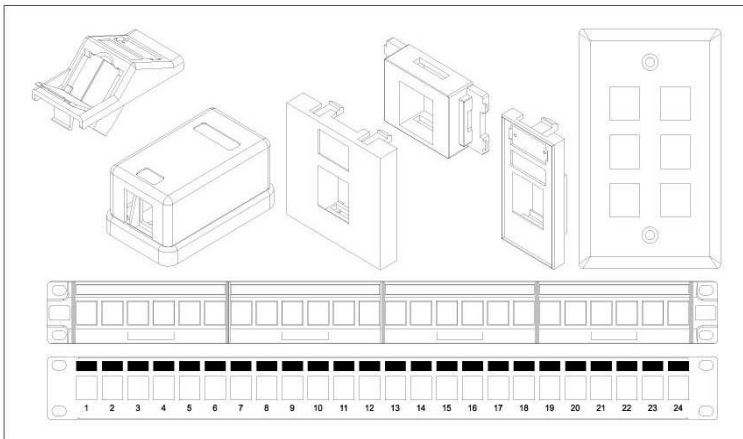


Caution !



Suitable for without spring shutter or thin dust cover

Not Suitable for spring shutter or thick dust cover



Security Applications

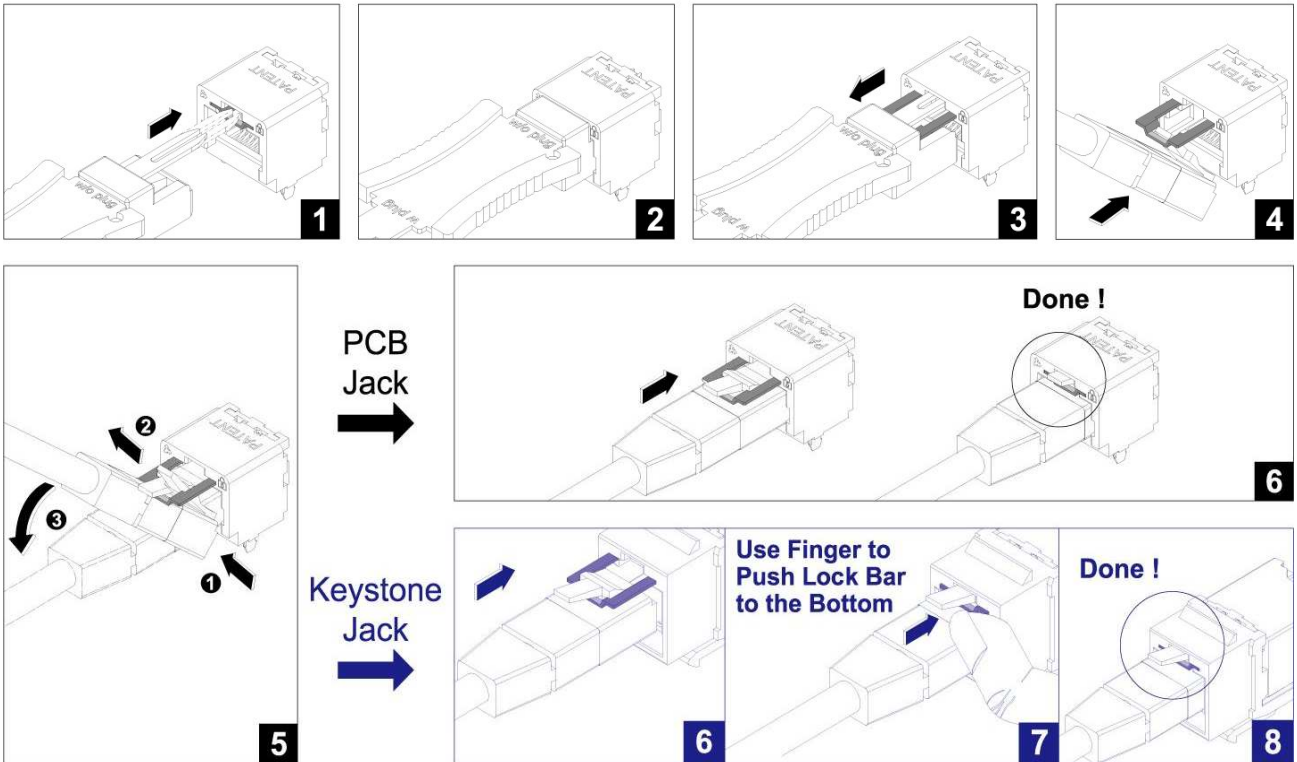
Banks, Hotels, Airports, Schools, Hospitals, Retail Stores, IP Camera Surveillance, Military Equipment.

Vibration Applications

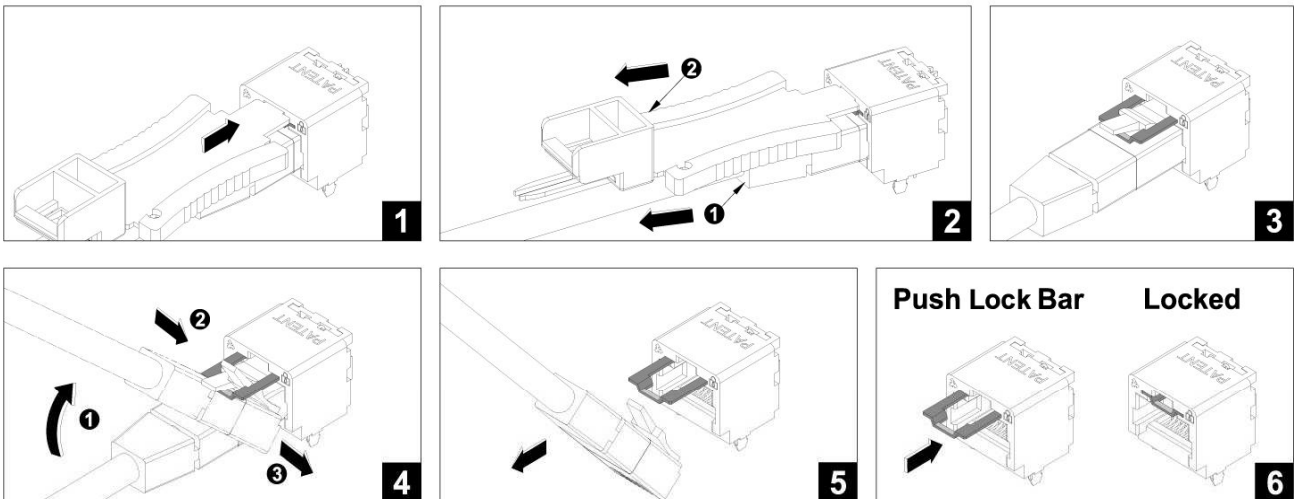
Trains, Aircraft, Vibrating Machinery, Transportation Equipment, Other Moving Vehicles

↕ Lock Jack Instruction Manual

Insert the plug



Pull out the plug



EPNEW ELECTRONICS CO., LTD.

7F, No.5, Lane 163, Shing-Yi Rd., Ban-Ciao Dist., New Taipei City, Taiwan

TEL : 886-2-2952-6198 (Rep.)

FAX : 886-2-2951-1479

http : // www.epcorp.com.tw

E-Mail : epnsales@epcorp.com.tw